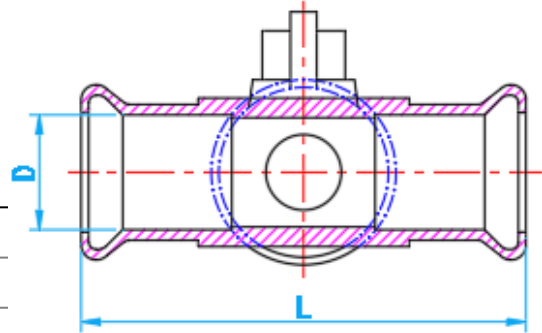
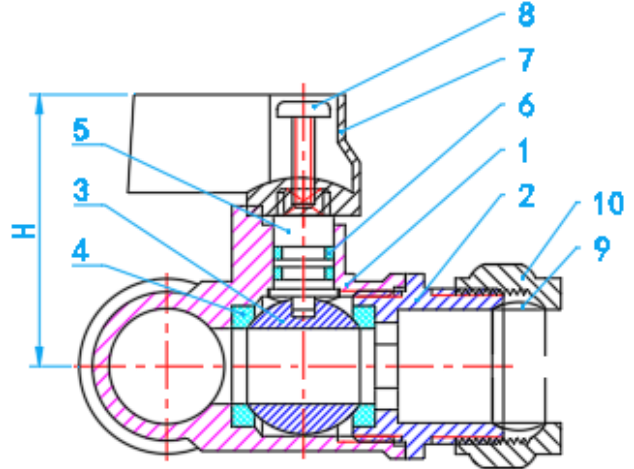
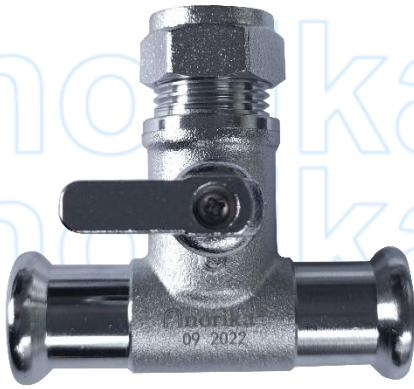


BRASS PRESS-FIT TEE MINI BALL VALVE

COMPLY WITH BS EN 13828:2003



CROSS SECTIONAL VIEW

COMPONENT PARTS

ITEM	PARTS	MATERIAL
1	Body	Chrome-plated DZR Brass
2	Body	Chrome-plated DZR Brass
3	Ball	Chrome-plated DZR Brass
4	Seat	PTFE
5	Stem	DZR Brass
6	O-ring	EPDM
7	Handle	Zinc Alloy
8	Screw	AISI304
9	Ring	Brass
10	Nut	Brass

STANDARD SPECIFICATION

Working Pressure	200Psi
Applicable Medium	Water

DIMENSIONS

SKU	DN (mm)	SIZE (inch)	D (mm)	L (mm)	H (mm)	WEIGHT (kg)	PCS/CTN
MBVCRN015TOPF	15	1/2"	15.2	68	35.5	0.170	-